



### Model Number

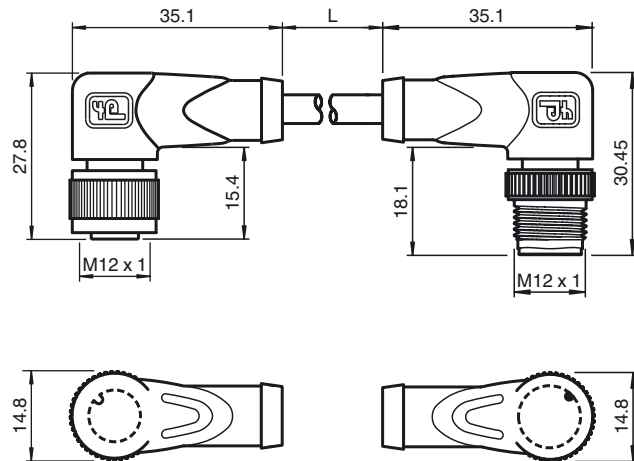
**V1-W-10M-PUR-ABG-V1-W**

Connecting cable, M12 to M12, PUR cable 4-pin, shielded

### Features

- Knurled nut suitable for tool assembly
- Immunity to vibration, with mechanical latching
- Shield attached to coupling nut
- Gold-plated and machined contacts
- Degree of protection IP67 / IP68 / IP69K
- Halogen-free

### Dimensions



### Technical data

#### General specifications

Number of pins 4

#### Electrical specifications

Operating voltage  $U_B$  max. 250 V AC/DC  
 Operating current  $I_B$  max. 4 A  
 Contact resistance < 10 mΩ

#### Ambient conditions

Ambient temperature -40 ... 90 °C (-40 ... 194 °F) for 20000 h  
 -40 ... 125 °C (-40 ... 257 °F) for 3000 h  
 Pollution degree 3

#### Mechanical specifications

Contact elements spring-loaded contact socket  
 Pin diameter 1 mm  
 Degree of protection IP67 / IP68 / IP69K

#### Material

Contacts CuSn / Au  
 Contact surface Au  
 Body TPU, green  
 Cable PUR  
 Slotted nut Diecast zinc  
 Sleeve connector Diecast zinc  
 Core insulation PP  
 Cable fine-strand, flexible  
 Sheath diameter Ø4.8 mm  
 Bending radius > 10 x cable diameter, moving  
 Color grey  
 Cores 4 x 0.34 mm<sup>2</sup>  
 Conductor construction 19 x 0.15 mm Ø  
 Shield grid covering 85 %  
 Length L 10 m

#### Flammability

Contact carrier 94 HB  
 Housing 94 V-2

#### Compliance with standards and directives

Standard conformity  
 Degree of protection EN 60529:2000  
 Standards IEC 61076-2-101:2008

### Electrical connection

